

Warning and safety instructions

1. Only interior using for this type of luminaire.
2. Main voltage supply must be disconnected or switched off before installation, uninstall or cleaning.
3. Use the enclosed protective gloves when handling the reflector, if applicable.
4. Ensure there is enough space for heat dissipation of the luminaire, do not place anything in 10cm around the luminaire. The luminaire must not under any circumstance be covered with heat insulating materials.
5. The luminaire must not be installed on inflammable parts of building.
6. Keep object out of the required minimum distance along the optical axis of the light source.
7. Please refer to the specific installation instructions, the label or imprint on the luminaire for information concerning any restrictions relating to the use of luminaire, type of installation and etc.
8. If necessary the ceiling should be reinforced at the supporting points of the mounting frame or bracket.
9. The cable must be routed so that it does not touch the luminaire housing and even the lamp tilted.
10. The luminaire must only be operated with control gear matching the LED module provided or recommended by AKZU. No liability is accepted if used with other control gears.
11. When installing, always observe relative local rules and regulations.

Limitations

Our warranty is contingent upon the observance of this product information, in particular, it shall be void if the fitting instructions are not followed, the fitting dimensions are not observed, or any modification is made to the luminaire.

Cleaning

1. Luminaires should be cleaned regularly to make sure its working in good condition.
2. Disconnect the power and wait it is cooled down before cleaning.
3. Use soft cloths to clean.
4. Use litmusless detergent.
5. Do not use rigid, sharp, frictional or similar material or tool to clean
6. Do not use acidic, alkaline, ethanol or similar chemicals to clean.

安全说明

1. 此类灯具只适用于室内。
2. 安装、拆卸或清洁灯具之前，请务必断开或关闭电源。
3. 如果有反射罩需要操作，请使用所附手套进行。
4. 确保灯具有足够的空间散热，不要在灯具周围10cm内放置任何物品。灯具不可安装在被隔热材料覆盖的环境下。
5. 灯具不可安装在建筑物的易燃部分上。
6. 确保被照物体在要求最小照射距离之外。
7. 请参考相关的安装说明，产品标签等资料上关于该灯具安装和使用等方面的限制说明。
8. 如果必要，请加固天花上用于支撑安装外框或支架的部分。
9. 适当调整线缆的位置，以确保其不会接触灯具外壳，甚至在调整灯具角度时也不会接触。
10. 请使用AKZU提供或推荐的与LED模组匹配的驱动电源控制器，使用其他驱动电源控制将不受保修条款保护。
11. 安装时，请务必遵守当地相关法律法规。

限制说明

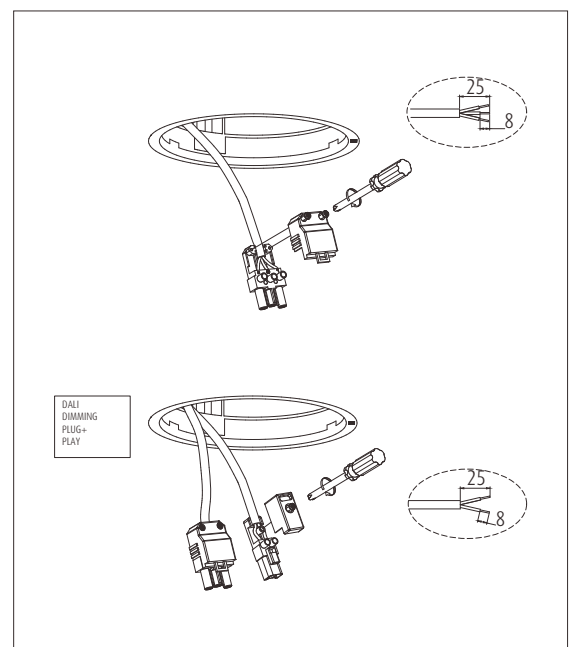
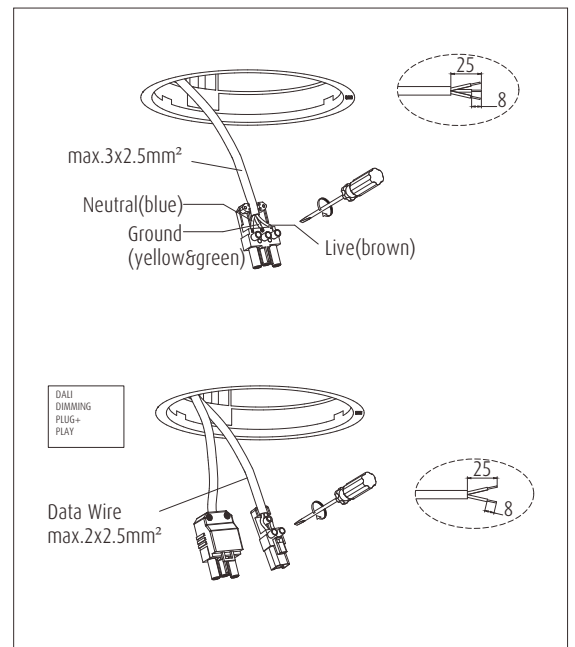
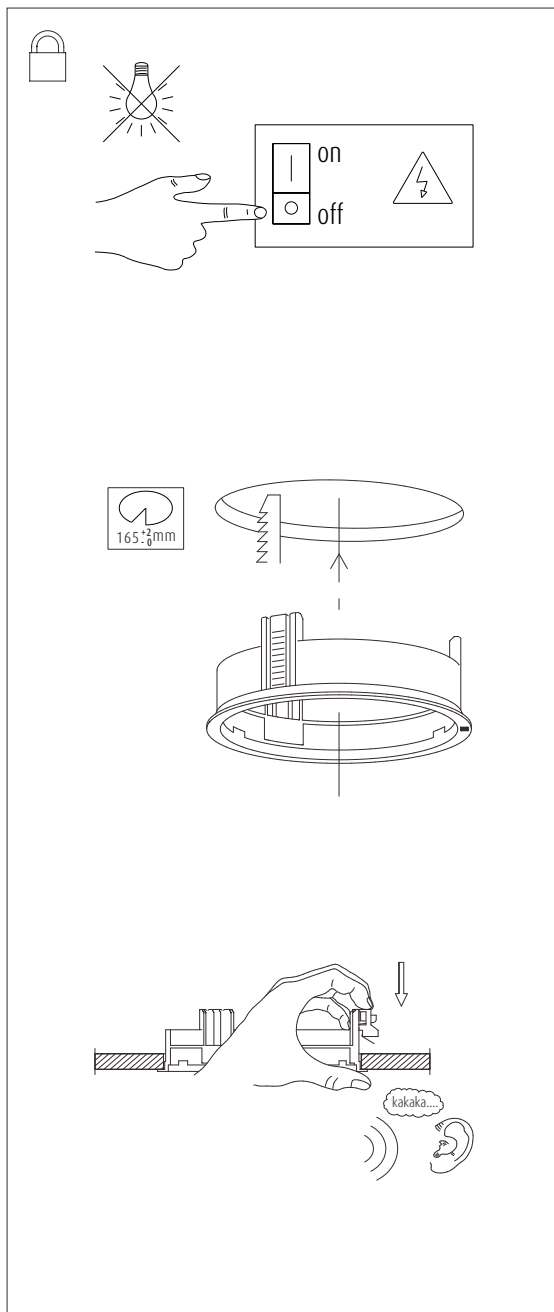
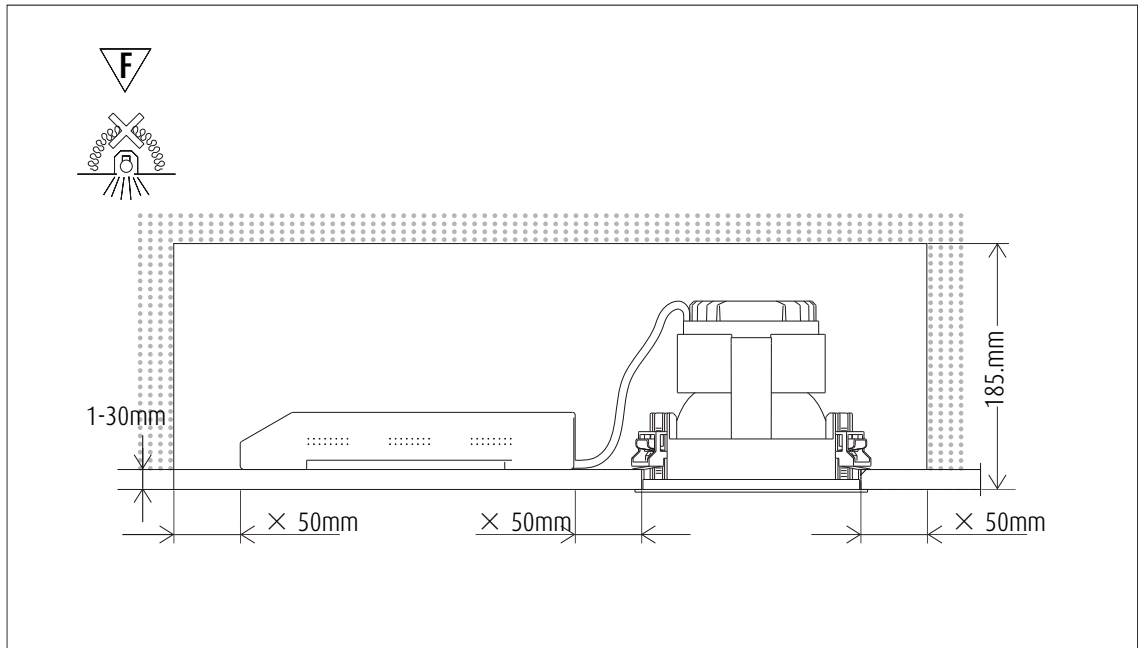
保修服务只适于遵守产品使用规范的情况，如果不遵守安装指南，安装尺寸，或对灯具的任何改装，保修服务将失效。

清洁说明

1. 为保证灯具运行状态良好，请定期对其进行清洁维护。
2. 清洁灯具之前，请务必关闭电源并等待灯体冷却。
3. 请使用软质布料进行操作。
4. 请使用中性清洁剂。
5. 请勿使用硬质、尖利、摩擦性大或类似的材料或工具清洁。
6. 请勿使用酸性、碱性、酒精性或类似化学物质清洁。

AKZU Installation instruction

for Phase 710

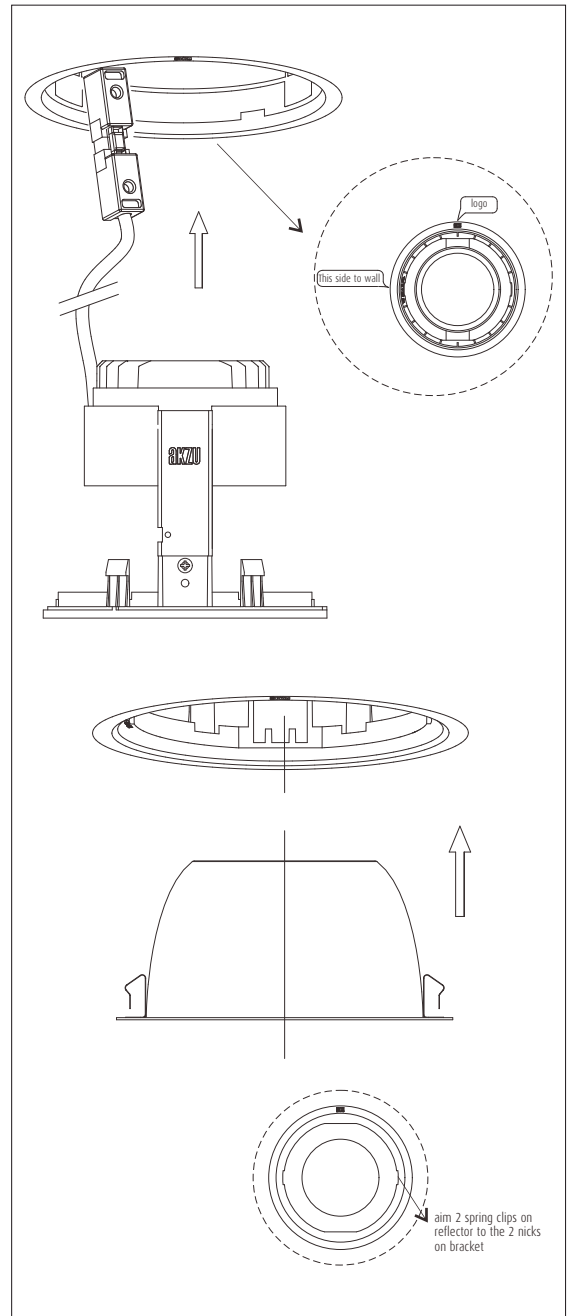
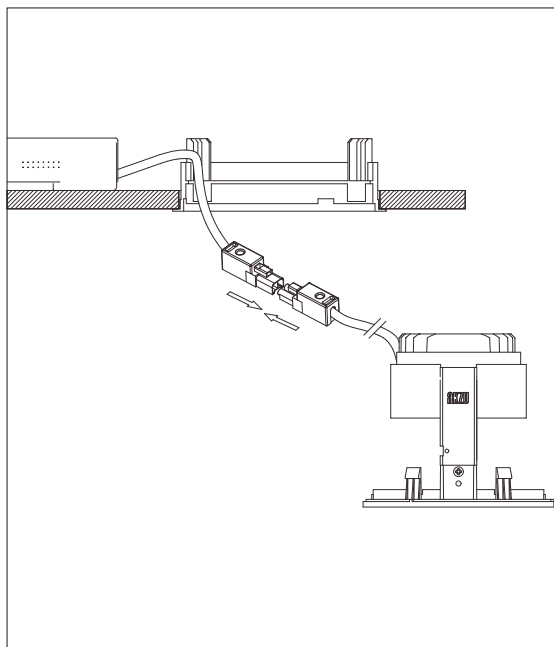
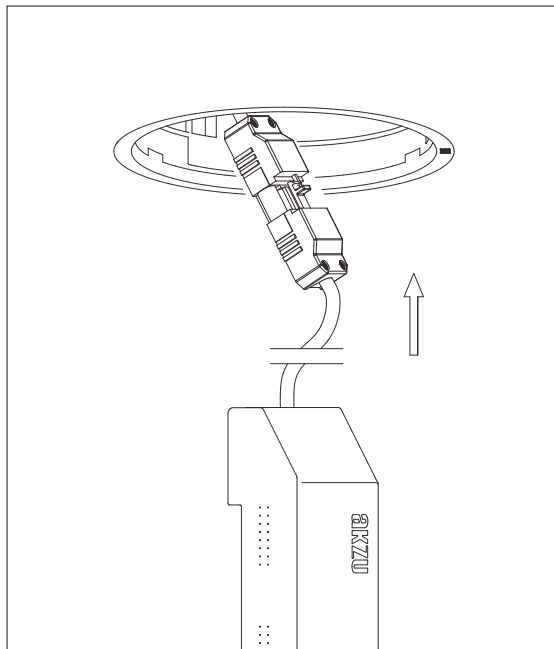
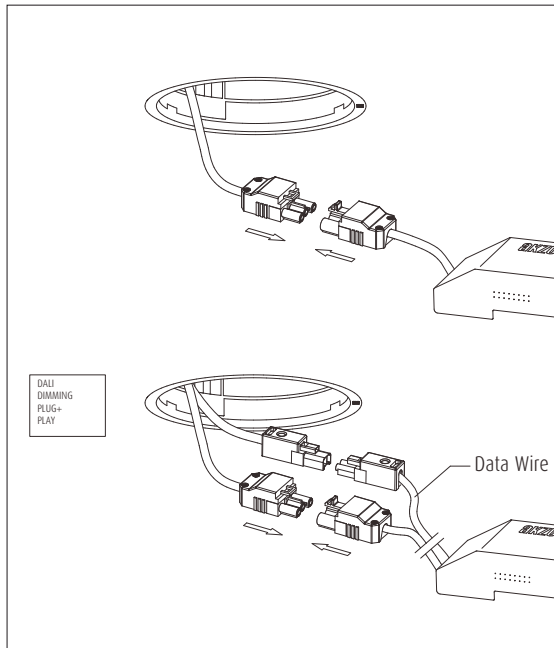


All data, images, and specifications are for reference only and may be changed due to product improvement without prior notice.

Version: 2014.01.16
 More details at www.akzu.com

AKZU Installation instruction

for Phase 710



Installation

1. Open a hole on ceiling, please refer to product data sheet for the hole size.
2. Install the mounting frame; for wallwashers, make sure the logo on it is at the left hand direction, when the installer facing to the wall which to be washed.
3. Connect the power wire to the 3-pole connector; connect data wire to the 2-pole connector, if applicable (usually in white, please connect to right pole when the data wire is used for 0-10V dimming, for DALI application there is no such requirement).
4. Connect the control gear box via the connectors.
5. Connect the luminaire to the control gear box.
6. Fit on the luminaire bracket to the installed frame. (aim the 3 fitting points on bracket to the 3 nicks on frame)
7. Fit on the reflector to the bracket. (aim 2 spring clips on reflector to the 2 nicks on bracket)

安装说明

1. 请参考产品规格书中的开孔尺寸在天花上开好合适的孔。
2. 固定外框；如果是洗墙灯，安装是请确保外框上的AKZU图标在安装人员面向被洗墙面时的左手侧。
3. 将电源线接上3极的快捷接头；如有数据线，请接上2极的快捷端子（通常为白色，数据线若用于0-10V调光控制，请注意接线的极性；若用于DALI控制系统的，则无此要求）。
4. 通过接好的快捷接头连接驱动电源盒，并放置于天花上适

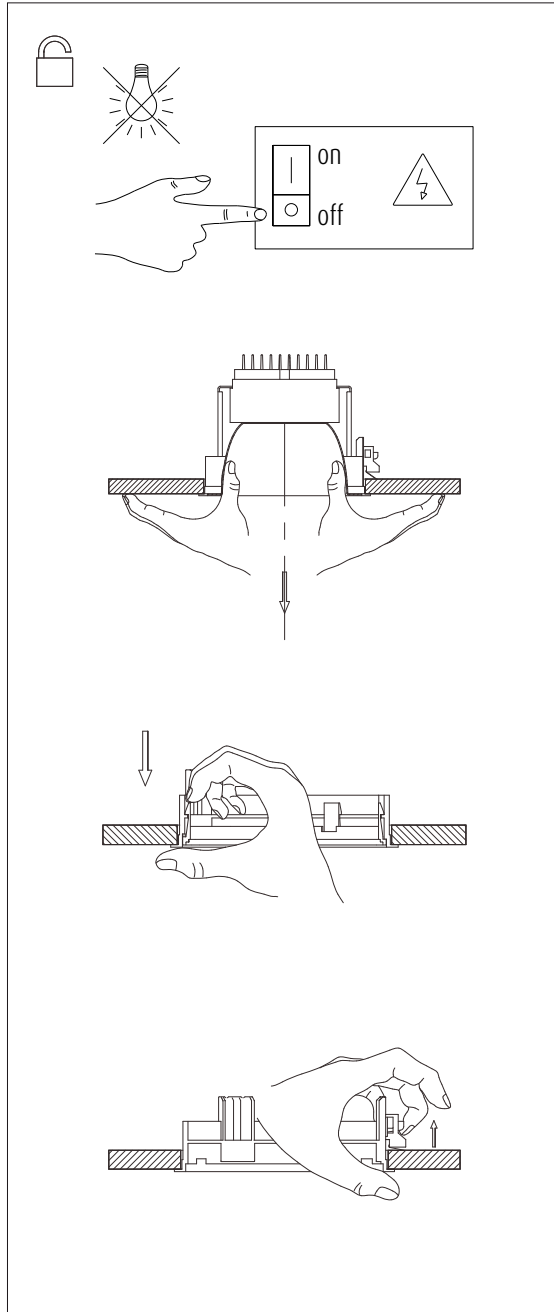
All data, images, and specifications are for reference only and may be changed due to product improvement without prior notice.

Version: 2014.01.16
More details at
www.akzu.com

AKZU Installation instruction for Phase 710

当位置。

5. 通过接好的快捷接头连接灯具与驱动电源盒。
6. 将灯体支架安装到外固定好的外框上(注意将支架上的三个定位凸点对准外框上的三个缺口)。
7. 将反射罩安装到装好的支架上(注意将反射罩上的两个弹片对准支架上的两个缺口)。



Uninstall

1. Draw the reflector down luminaire bracket.
2. Take down the luminaire bracket from the frame.
3. Disconnect the luminaire from control gear.
4. Disconnect the control gear from power wire and data wire.
5. Take down the frame from ceiling.

拆卸说明

1. 用力将反射罩从灯具支架上拉下。
2. 将灯体支架从外框中卸下。
3. 断开灯具与驱动电源合的快捷接头连接，取下灯体。
4. 断开驱动电源合与电源线及数据线的快捷接头连接，取下驱动电源盒。
5. 从天花上卸下外框。

All data, images, and specifications are for reference only and may be changed due to product improvement without prior notice.

Version: 2014.01.16

More details at
www.akzu.com